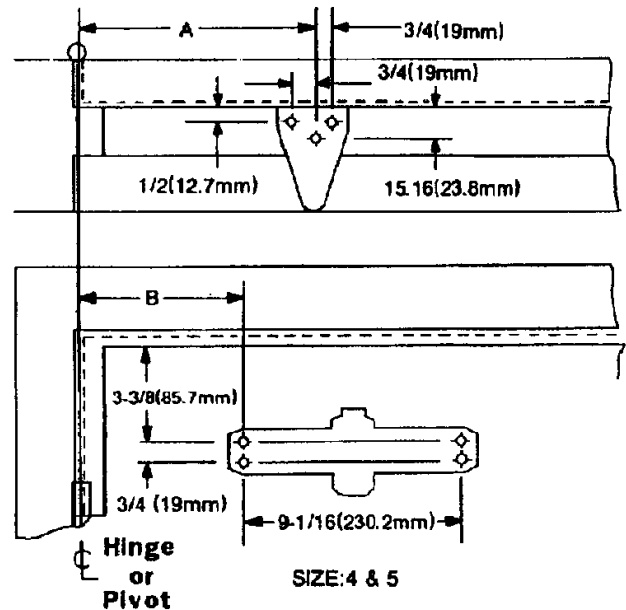
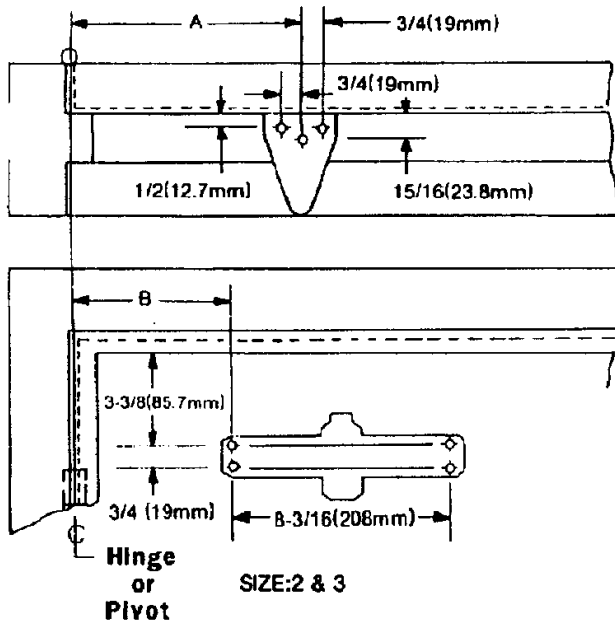


## Installation Instructions for PARALLEL ARM(PUSH SIDE) Mounting

THIS TEMPLATE COVERS REGULAR PARALLEL ARM INSTALLATIONS TO 180° OPENINGS.

Parallel bracket accessory required



- Left hand door shown
- Right hand door opposite
- Dimensions are in inches
- Do not scale drawing

### INSTALLATION INSTRUCTIONS

1. Select door opening angle and use dimensions shown above mark four(4) holes on door for door closer and three(3) holes underside of frame for parallel bracket.
2. Drill pilot holes in door and frame for #14 all-purpose screws or drill and tap for 1/4-20 machine screws.
3. Mount closer on door using screws provided. SPEED ADJUSTING VALVE MUST BE POSITIONED AWAY FROM HINGE EDGE.
4. Install Parallel Arm Bracket to frame using screws
5. Using a wrench on the square shaft at bottom of closer, rotate shaft approximately 45° toward hinge edge of door. Hold and place main arm of shaft on top of closer at proper index mark as illustrated. FOR LEFT HAND DOOR "L"(illustration "A"). FOR RIGHT HAND DOOR "R"(illustration "B"). Tighten arm screw with lockwasher securely.
6. Remove arm shoe from forearm and discard. Install ROD end of forearm to bracket using screw/washer assembly provided.
7. Adjust length of adjustable forearm so that adjustable forearm is parallel to frame.
8. Adjust closing speed of door, following instructions as shown Page 1.

OPENING	DIM. A SIZE: 2 & 3	DIM. B SIZE: 2 & 3	DIM. A SIZE: 4 & 5	DIM. B SIZE: 4 & 5
To 120°	10 3/4 (273mm)	7 13/16 (198.4mm)	10 3/4 (273mm)	6 15/16 (176.2mm)
120°-180°	8 3/4 (222.2mm)	5 5/8 (142.9mm)	8 3/4 (222.2mm)	4 3/4 (120.6mm)

### OPEN CYCLE

- NOTE: These instructions apply only to closers equipped with backcheck.
- To increase backcheck intensity, turn valve marked "BC" clockwise.
  - To decrease backcheck intensity, turn valve marked "BC" counter-clockwise.

